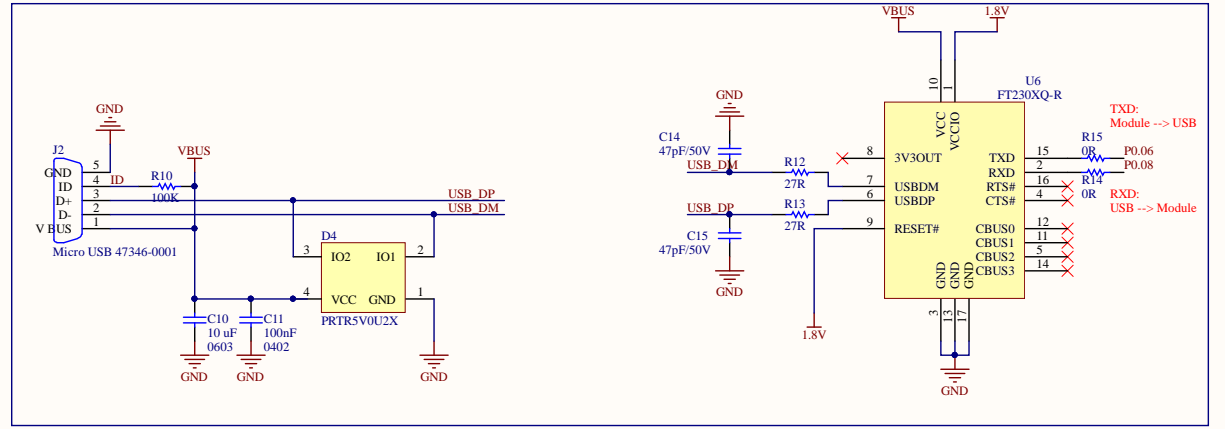
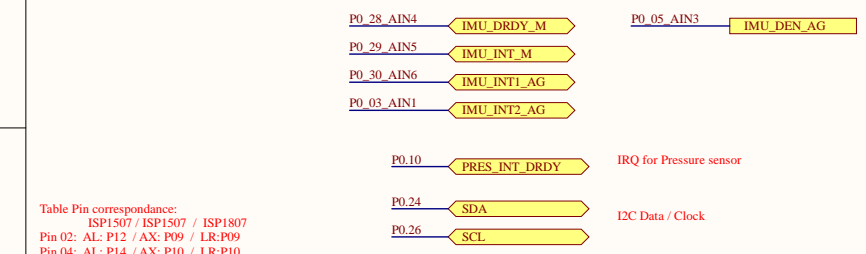
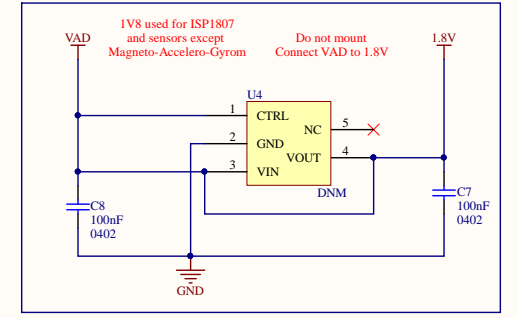
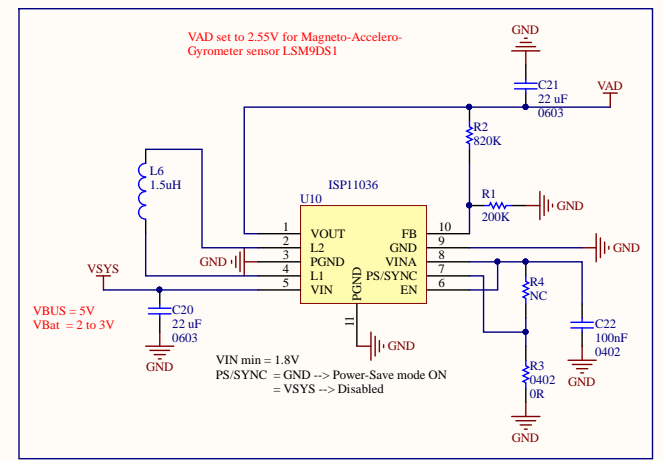
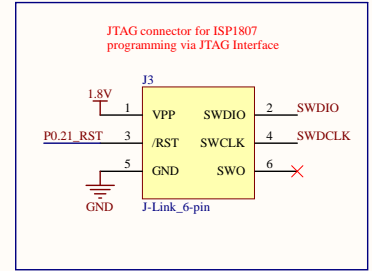
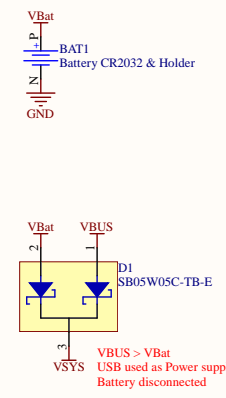
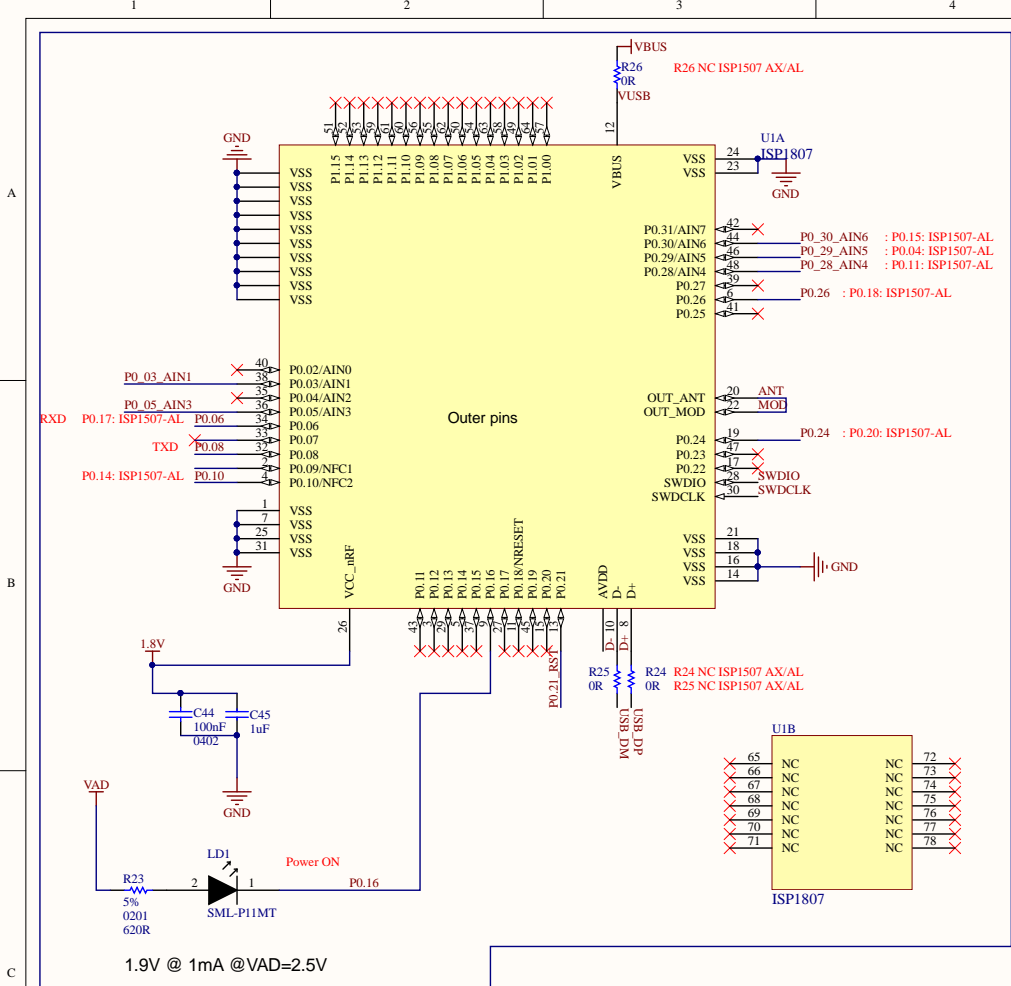
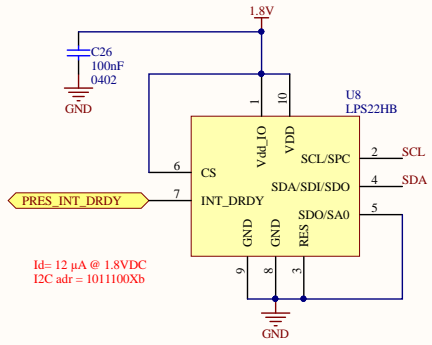


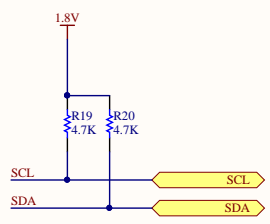
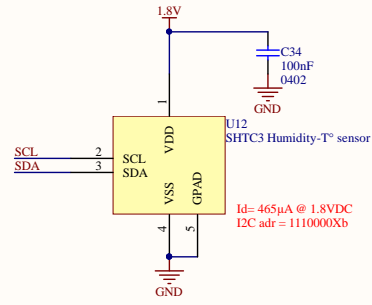
Sheet Title: <i>Function Diagram</i>			Insight SIP Greenside Bat 7 Ent 2 400 avenue Roumanille - BP209 06906 Sophia Antipolis Cedex France		Cannot open file C:\Users\Fabien\Desktop\logo-insight.png
Size: A3	Project ref: ISP1880_Bloc	Revision: RO			
Date: 11/12/2018	Drawn by: F Laroy	Sheet 1 of 6			
File: ISP1507_SENSOR_Function_Diagram_V03.SchDoc					



Barometersensor behind goretex window



Humidity/Temp sensor



Magneto - Accelero - Gyrometer sensor

Id Acc/Mag= 600 µA @ 2.55VDC  
 Id Gyro= 4 mA @ 2.55VDC  
 I2C Acc & Gyro adr = 1101010Xb  
 I2C Magnetic adr = 0011100Xb

